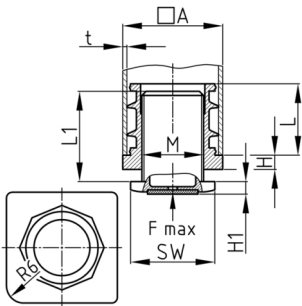


### Product Group VJRAF

Adjusting plugs made of PA 6 for square tubes with one piece outer body, an edge R6, injection moulded thread and felt slide base

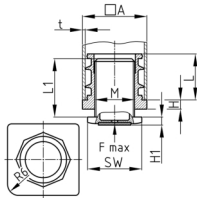


#### Standard Colours

- black RAL 9005

#### Material

- Base body: Polyamide (PA 6)
- Slide base: synthetic needle felt (polyester)



- The specified axial, static load capacity refers to a screw turned out 10 mm and resting on the full surface.
- Adjusting plugs are not suitable as load gliders.
- Adjusting plugs are not suitable for dynamic load.
- Please observe the material hints for polyamide (PA).

#### Product options on inquiry

- Further sizes
- Other special productions

Order Number	A	F max.	H	H1	L	L1	M	R	WAF	t
	mm	kg	mm	mm	mm	mm		mm	mm	mm
VJRAF 30x30x1,5-2/M22x25/8k	30	300	5	8	19,5	29	M22	6	28	1,5-2
VJRAF 30x30x1,5-2/M22x60/8k	30	300	5	8	19,5	60	M22	6	28	1,5-2