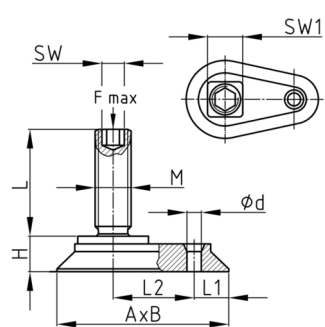


Product Group KFO

Adjustable screws with oval plastic foot made of ABS, moulded square, hexagon in the threaded end and mounting hole

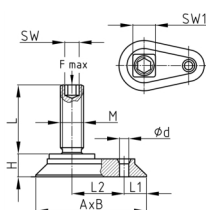


Standard Colours

- black

Material

- Base body: ABS
- Thread: zinc-plated steel



- The axial, static foot load applies to a perfectly level standing surface.

Order Number	A	B	d	F max.	H	L	L1	L2	M	WAF	SW1
	mm	mm	mm	kg	mm	mm	mm	mm		mm	mm
KFO 65x40 / M10x10	65	40	5	550	15	10	15	30	M10	5	19
KFO 65x40 / M10x20	65	40	5	550	15	20	15	30	M10	5	19
KFO 65x40 / M10x25	65	40	5	550	15	25	15	30	M10	5	19
KFO 65x40 / M10x40	65	40	5	550	15	40	15	30	M10	5	19
KFO 65x40 / M10x50	65	40	5	550	15	50	15	30	M10	5	19
KFO 65x40 / M10x60	65	40	5	550	15	60	15	30	M10	5	19