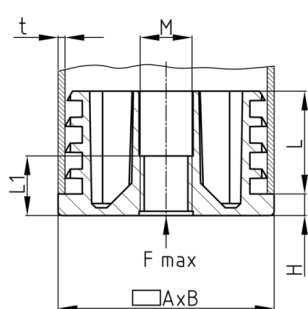


Product Group VG/RE

Threaded plugs made of PA for rectangular tubes with injected plastic thread

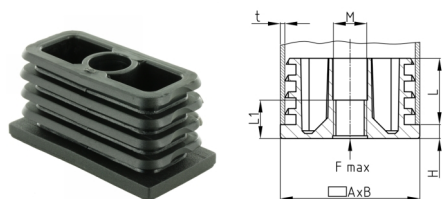


Standard Colours

- black RAL 9005

Material

- Polyamide (PA)



Product information

- The plugs are intended for use in pipes or equivalent bores with free passage corresponding to the clear nominal width of at least shaft length.
- For technical production reasons, a residual sprue may exceed the shaft length.
- Please note in the article category "Connecting elements" our pipe connection groups RVB 90 and RVB 180.

Order Number	A	B	F max.	H	L	L1	M	t
	mm	mm	kg	mm	mm	mm		mm
VG 40x20x1,5-2 / M8	40	20	200	5	24	14,5	M8	1,5-2
VG 40x25x1,5-2 / M8	40	25	200	5	24	14,5	M8	1,5-2
VG 40x30x1,5-2 / M8	40	30	200	5	24	14,5	M8	1,5-2
VG 50x20x1,5-2 / M8	50	20	200	5	24	14,5	M8	1,5-2
VG 50x25x1,5-2 / M8	50	25	200	5	24	14,5	M8	1,5-2
VG 50x30x1-1,5 / M8	50	30	200	5	24	14,5	M8	1-1,5
VG 50x30x1,5-2 / M8	50	30	200	5	24	14,5	M8	1,5-2
VG 60x25x1,5-2 / M8	60	25	200	5	24	14,5	M8	1,5-2
VG 60x30x1,5-2 / M8	60	30	200	5	24	14,5	M8	1,5-2
VG 60x40x1,5-2 / M8	60	40	200	5	24	14,5	M8	1,5-2
VG 40x20x1,5-2 / M10	40	20	200	5	24	14,5	M10	1,5-2
VG 40x25x1,5-2 / M10	40	25	200	5	24	14,5	M10	1,5-2
VG 40x30x1,5-2 / M10	40	30	200	5	24	14,5	M10	1,5-2
VG 50x20x1,5-2 / M10	50	20	200	5	24	14,5	M10	1,5-2
VG 50x25x1,5-2 / M10	50	25	200	5	24	14,5	M10	1,5-2
VG 50x30x1-1,5 / M10	50	30	200	5	24	14,5	M10	1-1,5
VG 50x30x1,5-2 / M10	50	30	200	5	24	14,5	M10	1,5-2
VG 60x25x1,5-2 / M10	60	25	200	5	24	14,5	M10	1,5-2
VG 60x30x1,5-2 / M10	60	30	200	5	24	14,5	M10	1,5-2
VG 60x40x1,5-2 / M10	60	40	200	5	24	14,5	M10	1,5-2
VG 40x30x1,5-2 / M12	40	30	200	5	24	14,5	M12	1,5-2
VG 50x30x1-1,5 / M12	50	30	200	5	24	14,5	M12	1-1,5



Walter Bethke GmbH & Co. KG

Technische Kunststoff - und Hybridprodukte

Order Number	A	B	F max.	H	L	L1	M	t
	mm	mm	kg	mm	mm	mm		mm
VG 50x30x1,5-2 / M12	50	30	200	5	24	14,5	M12	1,5-2
VG 60x30x1,5-2 / M12	60	30	200	5	24	14,5	M12	1,5-2
VG 60x40x1,5-2 / M12	60	40	200	5	24	14,5	M12	1,5-2