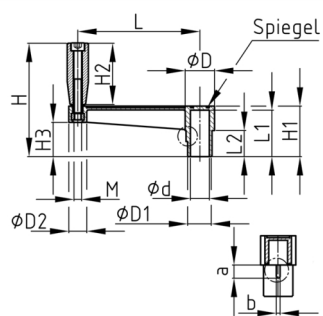


Product Group HKRL

Crank handle made of PA 6 with long stud

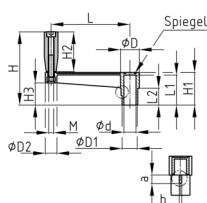


Standard Colours

- black

Material

- Base body: Polyamide (PA 6)
- Thread bolt: zinc-plated steel
- Handle: thermosetting PF 31



Order Number	D	D1	D2	d	H	H1	H2	H3	L	L1	L2	M	a	b
	mm	mm	mm	mm	mm	mm	mm	mm	mm	mm	mm		mm	mm
HKRL 150 / 29	36	29	22	18	160	70	80	49	150	62	39	M10	15	10