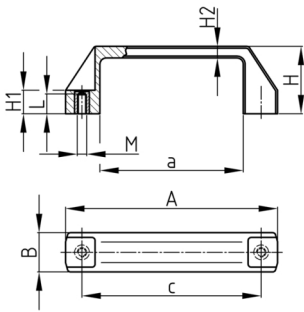


### Product Group BGB

U-handle made of PA-GF with threaded bush

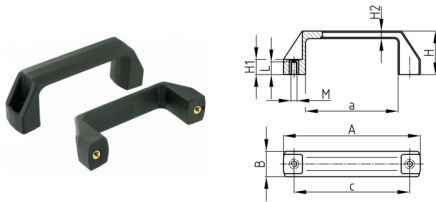


#### Standard Colours

- black

#### Material

- Base body: glass fibre reinforced polyamide (PA-GF)
- Thread: Brass



Order Number	A	a	B	c	H	H1	H2	L	M
	mm	mm	mm	mm	mm	mm	mm	mm	mm
BGB 93,5 / M5	107	74	21	93,5	37	14	7,5	10	M5
BGB 93,5 / M6	107	74	21	93,5	37	14	7,5	12	M6
BGB 117 / M5	136	92	25	117	42	15	8,5	10	M5
BGB 117 / M6	136	92	25	117	42	15	8,5	12	M6
BGB 117 / M8	136	92	25	117	42	15	8,5	12	M8
BGB 132 / M8	151	104	27	132	46	18	8	12	M8
BGB 179 / M8	197	153	28	179	51	17	9	12	M8