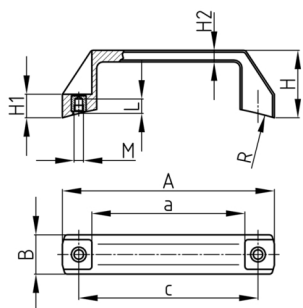


Product Group BGE

U-handle made of PA 6 for mounting on bent surfaces, with threaded bush

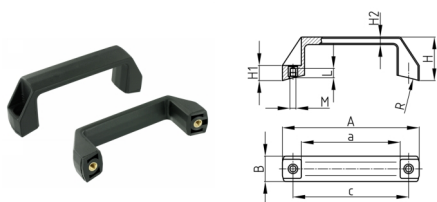


Standard Colours

- black

Material

- Base body: Polyamide (PA 6)
- Thread: Brass



Order Number	A	a	B	c	H	H1	H2	L	M	R
	mm	mm	mm	mm	mm	mm	mm	mm	mm	mm
BGE 112 / M6	133	90	25	112	46	19	8,5	12	M6	400-600
BGE 112 / M8	133	90	25	112	46	19	8,5	12	M8	400-600