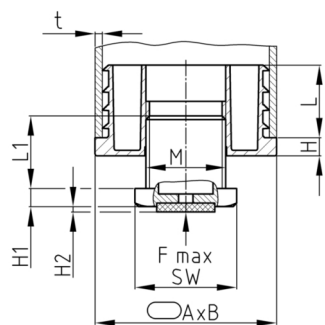


[Types.navProduktgruppe\_Caption]

Adjustable feet made of PA 6 for flat oval tubes with one piece outer body, injection moulded thread and welded felt

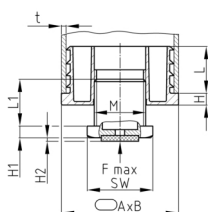


### Standard Colours

- black RAL 9005

### Material

- Base body: Polyamide (PA 6)
- Slide base: synthetic needle felt (polyester)



• The feet must be adjusted in an unloaded state. • The specified axial, static load capacity refers to a screw turned out 10 mm and resting on the full surface. • Adjusting plugs are not suitable as load gliders. • Adjusting plugs are not suitable for dynamic load.

• Please observe the material hints for polyamide (PA).

### Product options on inquiry

- Further sizes
- Other special productions

| Order Number                | A  | B  | F max. | H  | H1 | H2 | L  | L1   | M   | WAF | t     |
|-----------------------------|----|----|--------|----|----|----|----|------|-----|-----|-------|
|                             | mm | mm | kg     | mm | mm | mm | mm | mm   |     | mm  | mm    |
| OVJAF 50x30x1,5-2/M22x25/8k | 50 | 30 | 300    | 5  | 5  | 3  | 20 | 29,5 | M22 | 28  | 1,5-2 |