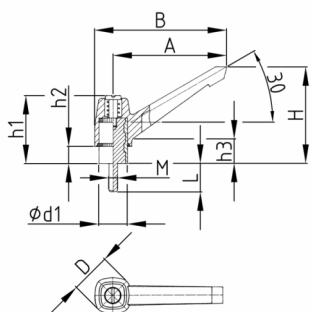


Product Group KLH1B

Clamping lever made of PA-GF with overmoulded threaded bolt, adjustable with push button

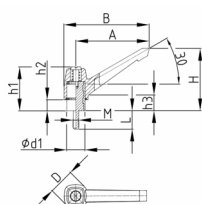


Standard Colours

- black

Material

- Base body: glass fibre reinforced polyamide (PA-GF)
- Thread: zinc-plated steel



- Attention, discontinued articles! The product group is taken out of our standard program.

Order Number	A	B	d1	D	h1	h2	h3	H	L	M
	mm	mm	mm	mm	mm	mm	mm	mm	mm	mm
KLH1B 40 M5x30	40	49	11	18	30	7	14	38	30	M5
KLH1B 55 M8x30	55	65	14	22	37	10	15	49	30	M8