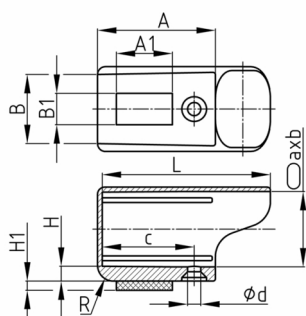


Product Group OGKLF

Oval angle sliding caps made of PP with welded felt base for ends of traverses

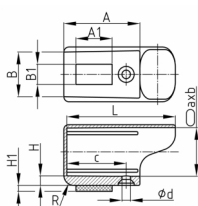


Standard Colours

- black

Material

- Base body: Polypropylene (PP)
- Slide base: felt



Order Number	a	b	A	B	A1	B1	c	d	H	H1	L
	mm	mm	mm	mm	mm	mm	mm	mm	mm	mm	mm
OGKLF 38x20	38	20	64	25	30	18	48	5	5	4	80,5
OGKLF 40x20	40	20	64	25	30	18	48	5	5	4	80,5