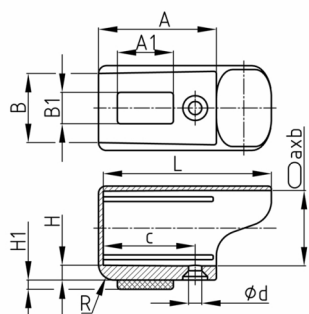


Product Group OGKLG

Oval angle sliding caps made of PP with welded plastic base for ends of traverses

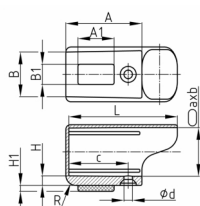


Standard Colours

- black

Material

- Base body: Polypropylene (PP)
- Slide base: Polyethylene (PE) - uncoloured



Order Number	a	b	A	B	A1	B1	c	d	H	H1	L
	mm	mm	mm	mm	mm	mm	mm	mm	mm	mm	mm
OGKLG 38x20	38	20	64	25	30	18	48	5	5	4	80,5
OGKLG 40x20	40	20	64	25	30	18	48	5	5	4	80,5