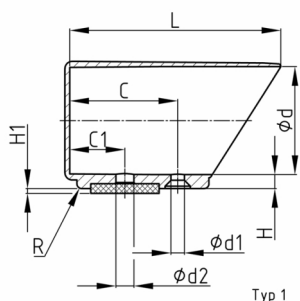


Product Group RGK/F

Round angle sliding caps made of PS 6 with mounting for felts or with strongly glued-in and silencing felt

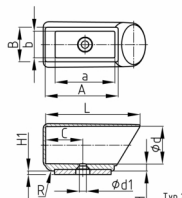
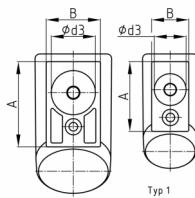
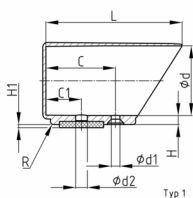


Standard Colours

- black RAL 9005

Material

- Base body: Polyamide (PA 6)
- Slide base: felt
- acrylate adhesive



- ...mmk will be delivered with very high adhesive glued felt.
- Base body will be delivered with a take-up bag - you assemble a felt of your choice.
- For nominal pipe size hand-tight fit is given - A locking device (bolt, rivet, locking pin) is required.

Product options on inquiry

- Special colours (colours, minimum quantities, set-up costs, pricing and surcharges)
- With your engraved company logo (tooling costs, minimum quantities, set-up costs)
- With your tampon printed company logo (set-up costs, minimum quantities, printing costs)

Order Number	Type	a	A	b	B	C	C1	d	d1	d2	d3	H	H1	H2	L ca.
		mm	mm	mm	mm	mm	mm	mm	mm	mm	mm	mm	mm	mm	mm
RGK/F 22 mmK	1		39		24	33	16	22	6	8	20	5	2	4	58
RGK/F 25 mmK	2	45	55	20	26	29		25	6			5,5	1,2	4	72
RGK/F 30 mmK	2	45	55	20	26	29		30	6			6	1,2	4	75
RGK/F 32 mmK	1		45,5		26	39	21	32	7	8	20	6	2	4	74
RGK/F 35 mmK	2	50	60	22	28	29		35	6			6	1,2	4	82,5
RGK/F 38 mmK	1		53		33	41	21	38	6	8	26	6	2	4	85,5
RGK/F 40 mmK	1		53		33	41	21	40	6	8	26	6	2	4	87
RGK/F 45 mmK	1		54		35	43	21	45	6	8	28	6	2	4	87
RGK/F 22 GK	1		39		24	33	16	22	6	8	20	5			58
RGK/F 25 GK	2	45	55	20	26	29		25	6			5,5			72
RGK/F 30 GK	2	45	55	20	26	29		30	6			6			75
RGK/F 32 GK	1		45,5		26	39	21	32	7	8	20	6			74
RGK/F 35 GK	2	50	60	22	28	29		35	6			6			82,5
RGK/F 38 GK	1		53		33	41	21	38	6	8	26	6			85,5
RGK/F 40 GK	1		53		33	41	21	40	6	8	26	6			87
RGK/F 45 GK	1		54		35	43	21	45	6	8	28	6			87