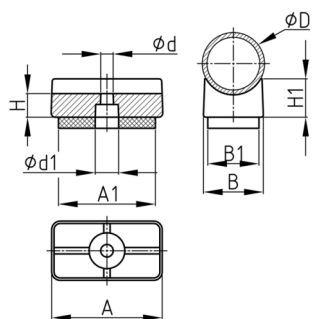


Product Group XF

Shell glides made of PE with felt sliding surface for cantilever chairs

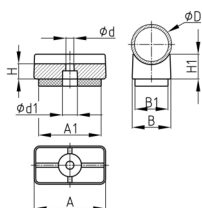


Standard Colours

- black

Material

- Base body: Polyethylene (PE)
- Slide base: felt



Order Number	A	A1	B	B1	D	H	H1	d	d1
	mm	mm	mm	mm	mm	mm	mm	mm	mm
XF 22 / 50	50	45	23	20	22-25	7	11	5,8	10