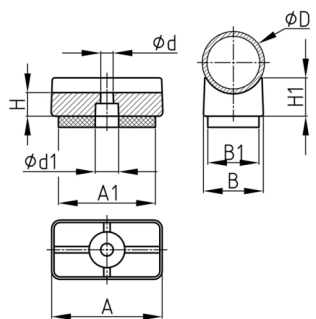


### Product Group XK

Shell glides made of PE with plastic sliding surface for cantilever chairs

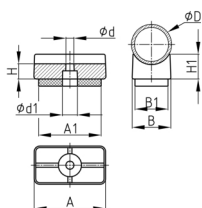


#### Standard Colours

- black

#### Material

- Base body: Polyethylene (PE)
- Slide base: Polyethylene (PE) - uncoloured



Order Number	A	A1	B	B1	D	H	H1	d	d1
	mm	mm	mm	mm	mm	mm	mm	mm	mm
XK 22/50	50	45	23	20	22-25	7	11	5,8	10