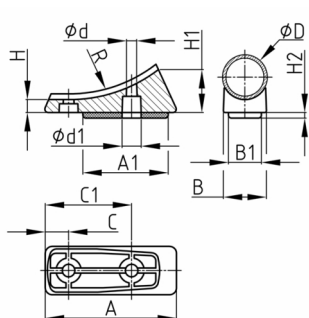


Product Group XGF

Shell glides made of PE with felt sliding surface for cantilever chairs

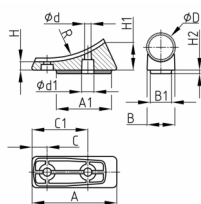


Standard Colours

- black

Material

- Base body: Polyethylene (PE)
- Slide base: felt



Order Number	A	A1	B	B1	C	C1	D	d	d1	H	H1	H2	R
	mm	mm	mm	mm	mm	mm	mm	mm	mm	mm	mm	mm	mm
XGF 22 / 71	71	50	27	21	9,5	52	22	10	5,9	6,5	23,5	3	90
XGF 25 / 72,5	72,5	50	30	21	9,5	52	25	10	5,9	8,3	28,5	3	80