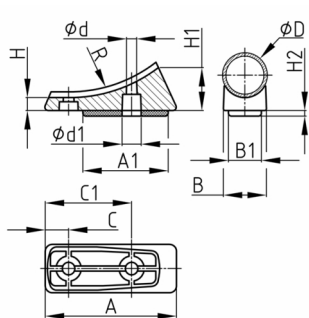


Product Group XGK

Shell glides made of PE with plastic sliding surface for cantilever chairs

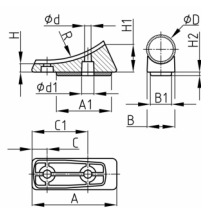


Standard Colours

- black

Material

- Base body: Polyethylene (PE)
- Slide base: Polyethylene (PE) - uncoloured



| Order Number | A | A1 | B | B1 | C | C1 | D | d | d1 | H | H1 | H2 | R |
|--------------|------|----|----|----|-----|----|----|-----|----|-----|------|----|----|
| | mm | mm | mm | mm | mm | mm | mm | mm | mm | mm | mm | mm | mm |
| XGK 22/71 | 71 | 50 | 27 | 21 | 9,5 | 52 | 22 | 5,9 | 10 | 6,5 | 23,5 | 3 | 90 |
| XGK 25/72,5 | 72,5 | 50 | 30 | 21 | 9,5 | 52 | 25 | 5,9 | 10 | 8,3 | 28,5 | 3 | 80 |