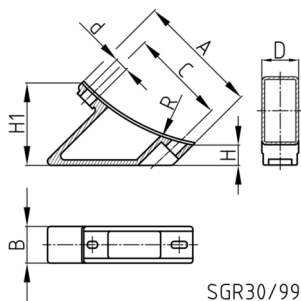


### Product Group SGR

Shell glides made of polyamide for cantilever chairs, sled chairs and C-tubes tables



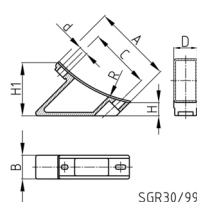
SGR30/99

#### Standard Colours

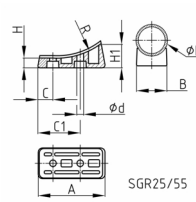
- black RAL 9005

#### Material

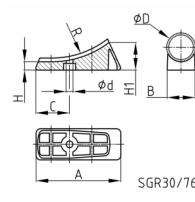
- Polyamide 6 (PA 6)



SGR30/99



SGR25/55



SGR30/76

#### Product information

- Size 25/55 and 30/76 for round tube and size 30/99 for C-tube with rectangular profile and 30 mm breadth.

#### Product options on inquiry

- Special colours (colours, minimum quantities, set-up costs, pricing and surcharges)
- Made of soft PVC (PVC-P) for floor protection, soundproofing and non-skid

Order Number	A	B	C	C1	d	D	H	H1	R
	mm	mm	mm	mm	mm	mm	mm	mm	mm
SGR 25/55	55	25	12	34,5	5,7	25	9	21,5	70
SGR 30/76	76	28,3	29		6,4	30	8	27	85
SGR 30/99	99	30	70		5,4	30	11,5	58	130