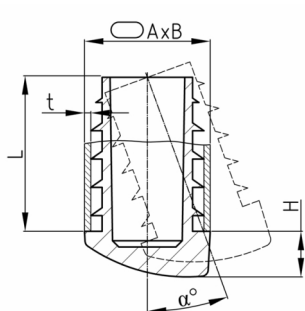


Product Group OVLS

Inclined stacking chair glides made of PE with variable set-up angle for flat oval tubes

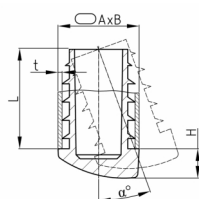


Standard Colours

- black RAL 9005

Material

- Polyethylene (PE)



- „+“ = differing standard colours possible

Product options on inquiry

- Special colours (colours, minimum quantities, set-up costs, pricing and surcharges)

Order Number	α °	A mm	B mm	H mm	L mm	t mm
OVLS 30x15x1,5-2	9-21	30	15	6,5	24,5	1,5-2
OVLS 38x20x1,5-2	9-21	38	20	7,5	24,5	1,5-2
+ OVLS 40x20x1,5-2	0-20	40	20	8	25	1,25
+ OVLS 48x20x1,5-2	0-20	48	20	8	25	1,25