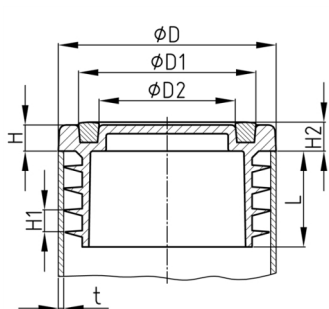


Product Group MGS

Upholstery furniture glides made of PE with very good stop function for smooth floors

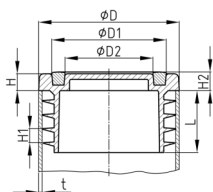


Standard Colours

- black RAL 9005
- signal white RAL 9003

Material

- Base body: Polyethylene (PE)
- Ring: elastic thermoplast (TPE)



Product information

- Non-skid due to TPE-V gliding base ring
- Plug-diameter less than ~32 mm look product group "GLH2".
- Intended for non-slip use on smooth floors in: Upholstered furniture, desks, stools, etc. ... (possible saving of a mechanical linking)

Product options on inquiry

- Further sizes
- Special colours (colours, minimum quantities, set-up costs, pricing and surcharges)
- Ring-socket made of TPE-U

Order Number	D	D1	D2	H	H1	H2	L	t
	mm	mm	mm	mm	mm	mm	mm	mm
MGS 50x1,5-2	50	40,5	32	6	5	6,5	21,5	1,5-2