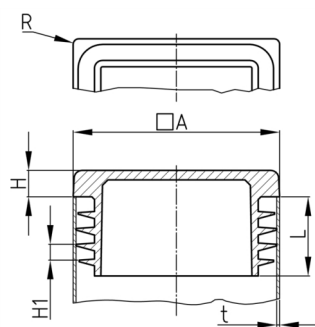


Product Group VL/Q

Lamella plugs made of polyethylene for square tubes

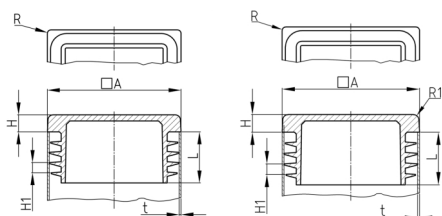
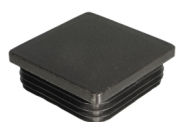


Standard Colours

- black RAL 9005
- signal white RAL 9003
- traffic grey A RAL 7042

Material

- Polyethylene (PE)



Product information

- Lamellar plugs without specification of the pipe wall thickness are generally suitable for pipe wall thicknesses 1.5 - 2 mm. Please indicate the pipe wall thickness when ordering.
- The plugs are intended for use in pipes or equivalent bores with free passage corresponding to the clear nominal width of at least shaft length.
- For technical production reasons, a residual sprue may exceed the shaft length.
- Material and design of shafts guaranteed stop against drop out and easy assembling.
- For use as a glides (conditional shear strength) and to attain an easy assembling in tubes with larger wall thickness, it is recommended to chamfer the inside diameter of the pipe (approx. 0.3 - 0.5 x 60°).
- Depending on the selected article, the surface finish can vary between polished and eroded.
- The ribs are circularly closed or interrupted.
- The ribs are not suitable for sealing against fluids.
- The number of slats per plug varies between 2-4 slats.
- „+“ = differing standard colours possible
- Your searched size / design is not included? - Please ask our sales team!
- As a rule, odd outside pipe diameters rounded to 1/10 mm (as part of the article or order number) indicate that these sizes originate from or are common in the Imperial system.

Product options on inquiry

- Special colours (colours, minimum quantities, set-up costs, pricing and surcharges)
- With your engraved company logo (tooling costs, minimum quantities, set-up costs)
- With your tampon printed company logo (set-up costs, minimum quantities, printing costs)
- Most plugs can also be made of suitable harder TPE's (TPE= thermoplastic elastomer --> extended range of operating temperature, noise absorbing, non-skid).

| Order Number | A | H | H1 | L | R | R1 | t |
|----------------------|------|----|----|------|----|----|---------|
| | mm | mm | mm | mm | mm | | mm |
| VL 12x12x0,5-2 | 12 | 4 | 3 | 11,5 | | | 0,5-2 |
| VL 13x13x0,5-2 | 13 | 4 | 3 | 11,5 | | | 0,5-2 |
| VL 15x15x0,8-2 | 15 | 3 | 3 | 11,5 | | | 0,8-2 |
| VL 16x16x0,8-2 | 16 | 5 | 3 | 11,5 | | | 0,8-2 |
| VL 18x18x0,8-2,5 | 18 | 5 | 3 | 11,5 | | | 0,8-2,5 |
| VL 19,1x19,1x1,2-2,9 | 19,1 | 5 | 3 | 11,5 | | | 1,2-2,9 |
| VL 20x20x0,8-3 | 20 | 5 | 3 | 11,5 | | | 0,8-3 |
| VL 22x22x0,8-3(3,5) | 22 | 5 | 3 | 11,5 | | | 1-3,5 |



Walter Bethke GmbH & Co. KG

Technische Kunststoff - und Hybridprodukte

| Order Number | A | H | H1 | L | R | R1 | t |
|------------------------|-------|-----|-----|------|-----|----|---------|
| | mm | mm | mm | mm | mm | | mm |
| VL 25x25x1-3 | 25 | 5 | 3 | 11,5 | | | 1-3 |
| VL 25,4x25,4x1,2-3,2 | 25,4 | 5 | 3 | 11,5 | | | 1,2-3,2 |
| VL 28x28x1-3 | 28 | 5 | 3 | 11,5 | | | 1-3 |
| VL 30x30x1-2,5 | 30 | 5 | 3 | 11,5 | | | 1-2,5 |
| VL 30x30x2,5-5 | 30 | 5 | 3 | 11,5 | | | 2,5-5 |
| VL 32x32x1-3,5 | 32 | 5 | 3 | 11,5 | | | 1-3,5 |
| VL 34x34x1-3 | 34 | 5 | 3 | 14,5 | | | 1-3 |
| VL 35x35x 0,8-3 | 35 | 5 | 3 | 14,5 | | | 0,8-3 |
| VL 35x35x3-5 | 35 | 5 | 3 | 14,5 | | | 3-5 |
| VL 38x38x1-3,5 | 38 | 5 | 3 | 14,5 | | | 1-3,5 |
| VL 40x40x1-3 | 40 | 5 | 3 | 14,5 | 2 | | 1-3 |
| VL 40x40x3-5 | 40 | 5 | 3 | 14,5 | 2 | | 3-5 |
| VL 45x45x1-3 | 45 | 5 | 3 | 14,5 | 2 | | 1-3 |
| VL 45x45x3-5 | 45 | 5 | 3 | 14,5 | 2 | | 3-5 |
| VL 48x48x2,5-4,5 | 48 | 5 | 3 | 14,5 | 2 | | 2,5-4,5 |
| VL 50x50x0,8-2,5 | 50 | 5 | 3 | 14,5 | 2,5 | | 0,8-2,5 |
| + VL 50x50x2,6-4 | 50 | 6,5 | 6,5 | 24,5 | 2,5 | | 2,6-4 |
| VL 50x50x3-5 | 50 | 5 | 3 | 14,5 | 2,5 | | 3-5 |
| VL 50,8x50,8x1,2-3,2 | 50,8 | 5 | 3 | 14,5 | 2,5 | | 1,2-3,2 |
| VL 52x52x1,5-3,5 | 52 | 5 | 3 | 14,5 | 2,5 | | 1,5-3,5 |
| VL 55x55x2-4 | 55 | 5 | 3 | 14,5 | 2,5 | | 2-4 |
| VL 60x60x1,5-4 | 60 | 5 | 4,5 | 21 | 6 | | 1,5-4 |
| + VL 60x60x2,6-4 | 60 | 6,5 | 6 | 17,5 | 5 | | 2,6-4 |
| VL 60x60x4-6 | 60 | 5 | 3 | 21 | 6 | | 4-6 |
| VL 65x65x2-4,5 | 65 | 5 | 3 | 21 | 6 | | 2-4,5 |
| VL 65x65x4-6,5 R12 | 65 | 5 | 4,5 | 21 | 12 | | 4-6,5 |
| + VL 70x70x2-4 | 70 | 5 | 4 | 18,7 | 4 | | 2-4 |
| VL 70x70x2-4,5 | 70 | 5 | 5 | 18,7 | 6 | | 2-4,5 |
| + VL 70x70x3,6-5 | 70 | 8 | 6 | 20 | 6 | | 3,6-5 |
| VL 75x75x2-4,5 | 75 | 6 | 4,5 | 21 | 6 | | 2-4,5 |
| VL 75x75x4-6,5 R12 | 75 | 6 | 4,5 | 21 | 12 | | 4-6,5 |
| VL 76,2x76,2x2,5-5 | 76,2 | 6 | 4,5 | 21 | 6 | | 2,5-5 |
| VL 80x80x2-4,5 | 80 | 6 | 4,5 | 21 | 6 | | 2-4,5 |
| VL 80x80x4-7 | 80 | 6 | 4,5 | 21 | 6 | | 4-7 |
| + VL 80x80x2,9-5 | 80 | 8 | 4 | 24 | 5 | | 2,9-5 |
| VL 88,9x88,9x2-4 | 88,9 | 6 | 5 | 21 | 6 | | 2-4 |
| VL 90x90x3-5 | 90 | 6 | 4,5 | 21 | 6 | | 3-5 |
| VL 90x90x4,5-7x R12 | 90 | 6 | 4,5 | 21 | 12 | | 4,5-7 |
| VL 95x95x3,5-5,5 | 95 | 6 | 4 | 21 | 6 | | 3,5-5,5 |
| + VL 100x100x1-4 | 100 | 7 | 7 | 24 | 7,5 | | 1-4 |
| + VL 100x100x5-8 | 100 | 7 | 8,5 | 24 | 7,5 | | 5-8 |
| VL 101,6x101,6x2,5-5,5 | 101,6 | 6 | 5 | 24 | 6 | | 2,5-5,5 |
| VL110 x 110 x 2-3,5 R1 | 110 | 6 | 4,5 | 24,5 | 1 | 6 | 2-3,5 |
| VL 110x110x3-5 | 110 | 6 | 4,5 | 24,5 | 6 | | 3-5 |
| VL 114,3x114,3x2,5-5,5 | 114,3 | 6 | 5 | 24 | 6 | | 2,5-5,5 |
| + VL 120x120x2,5-5 | 120 | 5 | | 25 | 7,5 | | 2,5-5 |
| VL 125x125x3-6 | 125 | 6 | 4,5 | 24,5 | 6 | | 3-6 |



Walter Bethke GmbH & Co. KG

Technische Kunststoff - und Hybridprodukte

| Order Number | A | H | H1 | L | R | R1 | t |
|----------------------|-----|----|----|----|----|----|---------|
| | mm | mm | mm | mm | mm | | mm |
| VL 140x140x4-7 | 140 | 6 | 6 | 35 | 12 | | 4-7 |
| + VL 150x150x5-8 | 150 | 7 | 8 | 27 | 12 | | 5-8 |
| + VL 150x150x10-12,5 | 150 | 7 | 8 | 27 | 12 | | 10-12,5 |
| + VL 160 x 160 x 3-6 | 160 | 6 | 6 | 35 | 12 | | 3-6 |
| + VL 180 x 180 x 3-6 | 180 | 6 | 6 | 35 | 12 | | 3-6 |
| + VL 200 x 200 x 3-7 | 200 | 6 | 6 | 35 | 12 | | 3-7 |