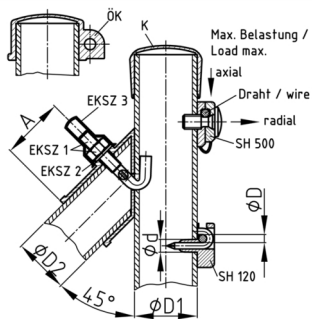


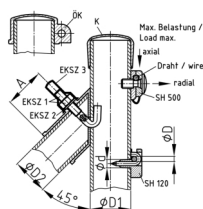
Product Group EKSZ

Accessories for inclined support caps



Material

- Protection cap: plasticised PVC (PVC-P)
- Washers: Polyamide (PA)
- Nut: zinc-plated steel
- Screw: zinc-plated steel



Product information

- EKSZ1 = M 8 hook bolt with nut, zinc-plated
- EKSZ2 = washer made of polyamide
- EKSZ3 = corrosion protection cap made of PVC

Order Number

EKSZ 1

EKSZ 2

EKSZ 3