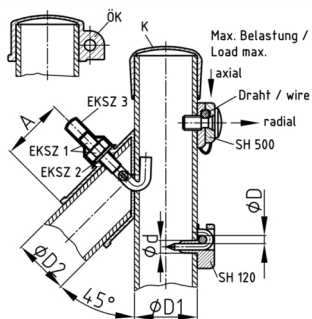


### Product Group ÖK

Eyelet caps made of polyethylene

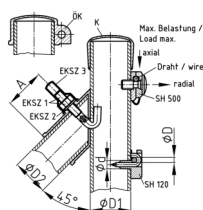


#### Standard Colours

- moss green RAL 6005
- black RAL 9005

#### Material

- Polyethylene (PE) with UV-stabilizer



Order Number	D1
	mm
ÖK 42	42
ÖK 59	60