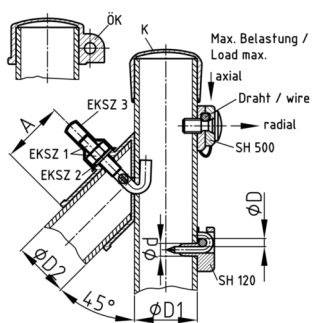


### Product Group SH 500

Tension wire holder made of PA-GF for high loads (supplied without screw)

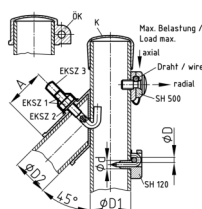


#### Standard Colours

- moss green RAL 6005
- black RAL 9005
- traffic grey A RAL 7042

#### Material

- Base body: glass fibre reinforced polyamide (PA-GF)



- The holding holes  $\text{Ø}8\text{-}8.1$  mm can be recut for upgrading to SH 500 with special thread M9x1.
- In this case, only custom-made screws with a large flat head and constriction in the shaft for the tension wire can be used
- sensible thread: M9x1.

Order Number	D	max. axial load	max. radial load
	mm	kg	kg
SH 500/2	4-5	500	250