

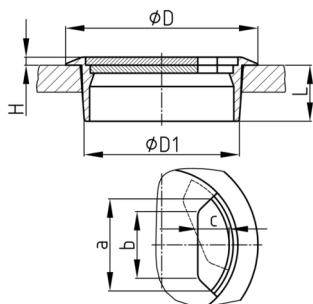


Walter Bethke GmbH & Co. KG

Technische Kunststoff - und Hybridprodukte

Product Group PCS

Cable ducts for desks made of impact-resistant polystyrene

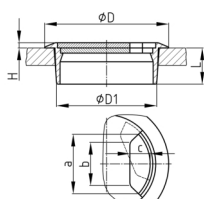


Standard Colours

- black

Material

- PS impact resistant



Order Number	a	b	c	D	D1	H	L
	mm	mm	mm	mm	mm	mm	mm
PCS 72/60	34	24	12	72	60	3	21
PCS 91/80	42,5	30	15	91	80	3,5	21