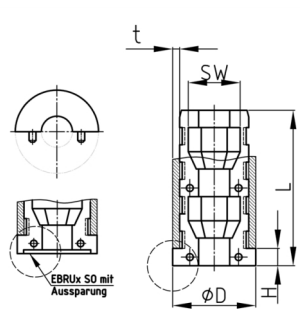


### Product Group EBRU

Assembled expander plugs with collar made of PA for round tubes for hexagon nuts or screws

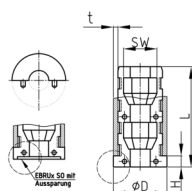


#### Standard Colours

- black

#### Material

- Polyamide (PA)



#### Product information

- These two-piece expander bushes with collar have conical chambers for hexagon nuts and screws. Tightening of the thread presses the outer wall of the insert against the inner tube wall (rawle plug effect). This effect requires entire tightening of the thread.
- The bushings are designed for precisely defined wall thicknesses according to the specifications in the table.
- The load capacity data refer to the use in steel tubes.
- Order-related production for individual article sizes! Please ask for minimum quantity.
- SO = special design; the collar of the stopper has a different height and a recess
- \* = it cannot be insert lock nuts DIN 985
- Use as threaded plugs in combination with adjustable feet or adjusting screws -> see category "Adjustment and levelling parts" - Expander effect only with fully tightened adjusting screw!
- Tube extensions (1 expander with nut and 1 expander with screw)
- Fixing of wheels and castors

Order Number	D	H	L	WAF	t	F max.
	mm	mm	mm	mm	mm	kg
EBRU 18x1,5 / M6	18	5	42	10	1,5	150
EBRU 20x1 / M6	20	5	42	10	1	150
EBRU 20x1 / M8	20	5	42	13	1	300
EBRU 20x1,5 / M6	20	5	42	10	1,5	150
EBRU 20x1,5 / M8	20	5	42	13	1,5	300
EBRU 22x1,5 / M8	22	5	47	13	1,5	300
EBRU 25x1 / M10	25	5	42	17	1,5	300
EBRU 25x1,2 / M6	25	5	42	10	1,2	150
EBRU 25x1,25 / M8	25	5	42	13	1,25	300
EBRU 25x1,5 / M8	25	5	47	13	1,5	300
EBRU 25x1,5 / M10	25	5	42	17	1,5	300
EBRU 28x1,5 / M8	28	5	42	13	1,5	300
EBRU 28x1,5 / M10	28	5	47	17	1,5	300
EBRU 28x2 / M10	28	5	42	17	2	300
EBRU 30x1,5 / M10	30	5	41,5	17	1,5	300



# Walter Bethke GmbH & Co. KG

Technische Kunststoff - und Hybridprodukte

Order Number	D	H	L	WAF	t	F max.
	mm	mm	mm	mm	mm	kg
EBRU 30x2 / M8	30	5	41	13	2	300
EBRU 30x2 / M10	30	5	41	17	2	300
EBRU 32x1,2 / M10	32	5	42	17	1,2	300
EBRU 32x1,5 / M10	32	5	42	17	1,5	300
EBRU 32x1,5 / M8	32	5	42	13	1,5	300
EBRU 32x2 / M8	32	5	42	13	2	300
EBRU 32x2 / M10	32	5	42	17	2	300
EBRU 35x1,5 / M10	35	5	44	17	1,5	300
EBRU 35x2 / M10	35	5	42	17	2	300
EBRU 35x2,5 / M10	35	5	42	17	2,5	300
EBRU 37,5x1,5 / M10	37,5	5	42	17	1,5	300
EBRU 38x1,5 / M10	38	5	42	17	1,5	300
EBRU 38x1,6 / M12	38	5	42	19	1,6	300
EBRU 40x1,5 / M10 SO	40	3	40	17	1,5	300
EBRU 40x2 / M8	40	5	41	13	1,5	300
EBRU 40x2 / M10	40	5	47	17	2	300
EBRU 42x2 / M10	42	5	42	17	2	300
EBRU 42x2 / M12	42	5	39	19	2	300
EBRU 45x2 / M10	45	5	42	17	2	300
EBRU 48,3x2,3-2,9 / M10	48,3	5	42	17	2,3-2,9	300
EBRU 50x1,5 / M10	50	5	43,5	17	1,5	300
EBRU 50x1,5 / M12	50	5	43,5	19	1,5	300
EBRU 50x2 / M10	50	5	42	17	2	300
EBRU 60x2 / M10 SO	60	3	40	17	2	300
EBRU 60x2,3-2,9 / M10	60	5	42	17	2,3-2,9	300
EBRU 60x2,5 / M10	60	5	39	17	2,5	300
EBRU 76x1,5 / M10	76	5	34	17	1,5	300
EBRU 80x1,5 / M10	80	5	33	17	1,5	300
EBRU 80x2 / M10	80	5	38	17	2	300