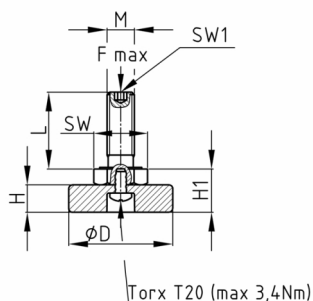


Product Group JPR ISK

Adjustable feet with hexagonal adjusting screw and hexagon in the thread end, swivel base

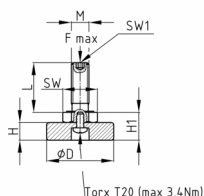


Standard Colours

- black RAL 9005

Material

- Screw: DIN 558-4.6-A2F (zinc-plated)
- Base 20/25mm: Polyamide (PA)
- Base 30/40mm: Polypropylene (PP)



Product information

- The feet must be adjusted unloaded.
- The adjustable feet are not suitable as load gliders.
- The load capacity of the screw (buckling length!) may be less than indicated in the table.
- As mounting aid Torx T20 in the plate (max. torque 3.4 Nm)
- The applicability for automated assembly will be examined by the customer. In the case of standard delivery, there is no guarantee of suitability for automated assembly (range of torque, tolerance limits of thread and more).

Product options on inquiry

- Further thread lengths/sizes
- Plastic base in special colours according to RAL-System

D	F max.	H	H1	M	WAF	SW1	20	30	40	50	60	70	80	90	100	120
mm	kg	mm	mm		mm	mm	mm	mm	mm	mm	mm	mm	mm	mm	mm	mm
20	400	10	16	M8	13	4	x	x	x	x	x	x	x	x	x	
20	550	10	16,5	M10	17	5	x	x	x	x	x	x	x	x	x	
25	400	10	16	M8	13	4	x	x	x	x	x	x	x	x	x	
25	550	10	16,5	M10	17	5	x	x	x	x	x	x	x	x	x	
30	400	10	16	M8	13	4	x	x	x	x	x	x	x	x	x	x
30	550	10	16,5	M10	17	5	x	x	x	x	x	x	x	x	x	
40	400	10	16	M8	13	4	x	x	x	x	x	x	x	x	x	
40	550	10	16,5	M10	17	5	x	x	x	x	x	x	x	x	x	

Ordering example

- Group + D + Type + M + Thread Length ---> JPR ISK 30 M10x 60