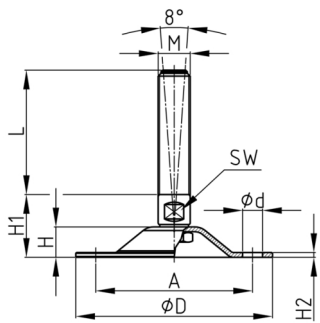


### Product Group MFDC

Form-punched machine feet with black cataphoresis dip coating and fixing holes

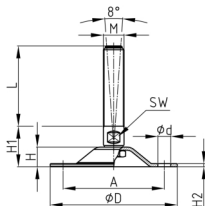


#### Standard Colours

- black

#### Material

- Thread: zinc-plated steel
- Base: cataphoresis painting steel



#### Product information

- The machine base is provided with a cataphoretic surface coating. It offers a higher resistance to chemical substances and solvents than galvanized surfaces. Particularly suitable for use with salt solutions.
- The machine foot can compensate for uneven floors up to 8°.
- The machine foot offers the possibility to personalize the base with your company logo.
- The load capacity of the screw (buckling length!) may be less than indicated in the table.
- Palletising machines, woodworking machines, general in production machines

#### Product options on inquiry

- Delivery with additional steel nut possible.

Order Number	A	D	d	F max.	H	H1	H2	L	M	WAF
	mm	mm	mm	kg	mm	mm	mm	mm		mm
MFDC 124 / M16x100	98	124	12,5	2000	20,5	34	4	100	M16	17
MFDC 124 / M16x150	98	124	12,5	2000	20,5	34	4	150	M16	17
MFDC 124 / M16x175	98	124	12,5	2000	20,5	34	4	175	M16	17
MFDC 124 / M20x100	98	124	12,5	2500	20,5	34	4	100	M20	17
MFDC 124 / M20x150	98	124	12,5	2500	20,5	34	4	150	M20	17
MFDC 124 / M20x175	98	124	12,5	2500	20,5	34	4	175	M20	17
MFDC 124 / M20x200	98	124	12,5	2500	20,5	34	4	200	M20	17
MFDC 124 / M24x100	98	124	12,5	3000	20,5	34	4	100	M24	20
MFDC 124 / M24x150	98	124	12,5	3000	20,5	34	4	150	M24	20
MFDC 124 / M24x200	98	124	12,5	3000	20,5	34	4	200	M24	20
MFDC 124 / M30x150	98	124	12,5	3500	20,5	34	4	150	M30	26
MFDC 124 / M30x200	98	124	12,5	3500	20,5	34	4	200	M30	26
MFDC 124 / M30x250	98	124	12,5	3500	20,5	34	4	250	M30	26

#### Ordering example

- Group + D + M + Thread Length ---> MFDC 124 M16x 100