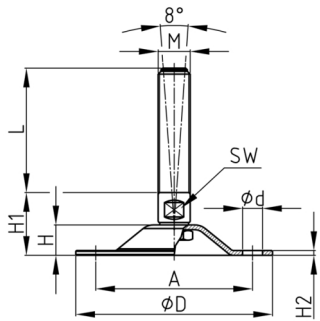


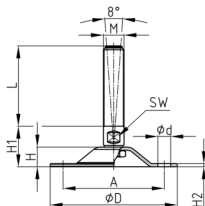
Product Group MFDD

Form-punched machine feet made of galvanised steel with fixing holes



Material

- Thread: zinc-plated steel
- Base: galvanized pressed steel



Product information

- The machine foot offers the possibility to personalize the base with your company logo.
- The machine foot can compensate for uneven floors up to 8°.
- The load capacity of the screw (buckling length!) may be less than indicated in the table.
- Palletising machines, woodworking machines, general in production machines

Product options on inquiry

- Delivery with additional steel nut possible.

Order Number	A	D	d	F max.	H	H1	H2	L	M	WAF
	mm	mm	mm	kg	mm	mm	mm	mm		mm
MFDD 124 / M16x100	98	124	12,5	2000	20,5	34	4	100	M16	17
MFDD 124 / M16x150	98	124	12,5	2000	20,5	34	4	150	M16	17
MFDD 124 / M16x175	98	124	12,5	2000	20,5	34	4	175	M16	17
MFDD 124 / M20x100	98	124	12,5	2500	20,5	34	4	100	M20	17
MFDD 124 / M20x150	98	124	12,5	2500	20,5	34	4	150	M20	17
MFDD 124 / M20x175	98	124	12,5	2500	20,5	34	4	175	M20	17
MFDD 124 / M20x200	98	124	12,5	2500	20,5	34	4	200	M20	17
MFDD 124 / M24x100	98	124	12,5	3000	20,5	34	4	100	M24	20
MFDD 124 / M24x150	98	124	12,5	3000	20,5	34	4	150	M24	20
MFDD 124 / M24x200	98	124	12,5	3000	20,5	34	4	200	M24	20
MFDD 124 / M30x150	98	124	12,5	3500	20,5	34	4	150	M30	26
MFDD 124 / M30x200	98	124	12,5	3500	20,5	34	4	200	M30	26
MFDD 124 / M30x250	98	124	12,5	3500	20,5	34	4	250	M30	26