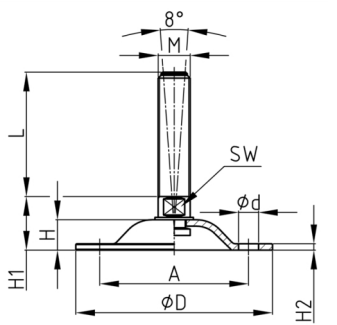


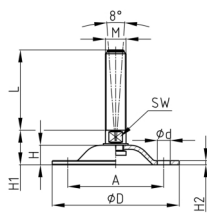
Product Group MFDH

Form-punched machine feet made of stainless steel with fixing holes



Material

- AISI 304 (A2)



Product information

- The machine foot can compensate for uneven floors up to 8°.
- The machine foot offers the possibility to personalize the base with your company logo.
- From the foot diameter Ø123 mm there are 4 mounting holes.
- The load capacity of the screw (buckling length!) may be less than indicated in the table.
- Palletising machines, woodworking machines, general in production machines

Product options on inquiry

- Machine foot made of stainless steel AISI 316 (A4)
- Delivery with additional steel nut possible.

A	D	d	F max.	H	H1	H2	M	WAF	100	150	175	200	250
mm	mm	mm	kg	mm	mm	mm		mm	mm	mm	mm	mm	mm
65	85	10,5	1200	13	21	3	M16	13	x	x	x		
65	85	10,5	1200	13	36	3	M20	17	x				
65	85	10,5	1200	13	30	3	M20	17		x			
65	85	10,5	1200	13	37	3	M20	17				x	
98	123	12,5	2000	20,5	34	3	M16	17	x	x	x		
98	123	12,5	2500	20,5	34	3	M20	17	x	x		x	
98	123	12,5	3000	20,5	34	3	M24	20	x	x		x	
98	123	12,5	3500	20,5	35	3	M30	26		x		x	x

Ordering example

- Group + D + M + Thread Length ---> MFDH 85 M16x 100