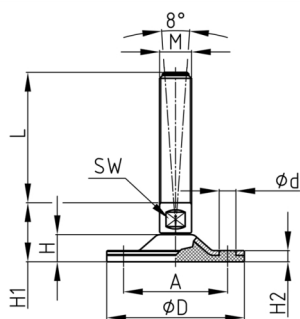


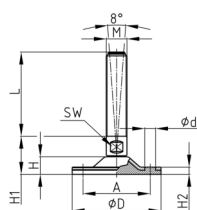
Product Group MFDR

Form-punched machine feet made of stainless steel with fixing holes and vulcanised rubber pad



Material

- Base body: AISI 304 (A2)
- Rubber: NBR 80 Shore, vulcanized



Product information

- The machine foot offers the possibility to personalize the base with your company logo.
- The machine foot can compensate for uneven floors up to 8°.
- The vulcanized rubber mounting surface can be drilled through and screwed to the floor.
- For foot diameter Ø 85 mm 2 mounting holes are possible.
- From a foot diameter of Ø 123 mm, 4 mounting holes are possible.
- The load capacity of the screw (buckling length!) may be less than indicated in the table.
- Palletising machines, woodworking machines, general in production machines

Product options on inquiry

- Delivery with additional steel nut possible.

A	D	d	F max.	H	H1	H2	M	WAF	100	150	175	200	250
mm	mm	mm	kg	mm	mm	mm		mm	mm	mm	mm	mm	mm
65	85	10,5	1200	13	30	7	M16	13	x	x	x		
65	85	10,5	1200	13	30	7	M20	17	x	x		x	
98	123	12,5	2000	13	37	7	M16	13	x	x	x		
98	123	12,5	2000	17	37	7	M20	17	x	x		x	
98	123	12,5	2000	20	38	7	M24	20	x	x		x	
98	123	12,5	2000	26	38	7	M30	26		x		x	x

Ordering example

- Group + D + M + Thread Length ---> MFDR 85 M16x 100