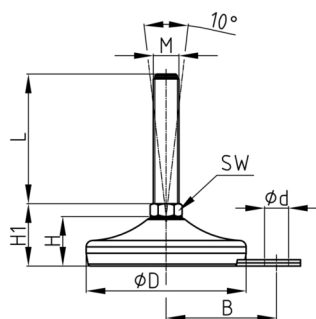


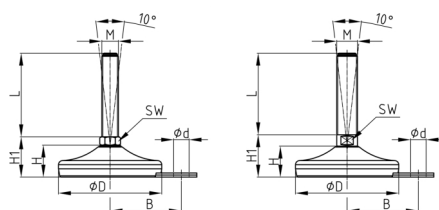
### Product Group MFSSB

Machine feet made of stainless steel with fixing system and vulcanised rubber pad



#### Material

- Base body: AISI 304 (A2)
- Rubber: NBR 80 Shore, vulcanized



#### Product information

- Depending on the size of the thread or the foot diameter, the machine foot is provided with a chamfer on both sides or with a hexagon as a spanner flat.
- The foot is made of pressed moulded sheet metal. The vulcanized rubber is firmly attached to the sheet. This prevents the penetration of bacteria and ensures a high standard of hygiene.
- Die abgerundete Form und der verdeckte Übergang vom Fuß zum Gewinde erleichtern die Reinigung.
- The machine foot can compensate for uneven floors up to 10°.
- The load capacity of the screw (buckling length!) may be less than indicated in the table.
- Food industry

#### Product options on inquiry

- Machine foot made of stainless steel AISI 316 (A4)

B	D	d	F max.	H	H1	M	WAF	50	75	100	125	150	175	200	225	250
mm	mm	mm	kg	mm	mm		mm	mm	mm	mm	mm	mm	mm	mm	mm	mm
54	80	15	1000	25	35	M10	14	x	x	x	x					
54	80	15	1000	25	35	M12	14	x	x	x	x					
54	80	15	1000	25	35	M14	14		x	x	x	x	x			
54	80	15	1000	25	35	M16	13		x	x	x	x	x			
54	80	15	1000	25	38	M20	17		x	x	x	x	x	x	x	
54	80	15	1000	25	40	M24	20		x	x	x	x	x	x	x	
69	100	15	1500	30	39,5	M16	13		x	x	x	x	x	x		
69	100	15	1500	30	43	M20	17		x	x	x	x	x	x	x	x
69	100	15	1500	30	44	M24	20			x	x	x	x	x	x	x
69	100	15	1500	30	44	M30	26			x	x	x	x	x	x	x

#### Ordering example

- Group + D + M + Thread Length ---> MFSSB 80 M10x 50