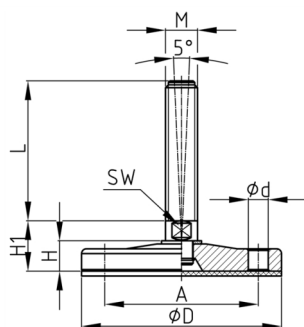


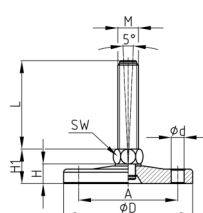
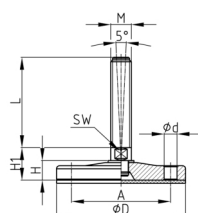
Product Group MFSSH

Machine feet made of stainless steel with fixing holes and antislip pad (A)



Material

- Base body: AISI 304 (A2)
- Antislip pad: NBR 70 Shore



Product information

- Depending on the size of the thread or the foot diameter, the machine foot is provided with a chamfer on both sides or with a hexagon as a spanner flat.
- The machine foot can compensate for uneven floors up to 5°.
- The machine foot has a turned surface.
- The antislip pad is supplied without holes.
- The thread is screwed into the foot and can be turned!
- The load capacity of the screw (buckling length!) may be less than indicated in the table.
- Food industry, chemical industry, cosmetics industry, beverage industry, wine cellars

Product options on inquiry

- Machine foot made of stainless steel AISI 316 (A4)
- Delivery with additional steel nut possible.

A	D	d	F max.	H	H1	M	WAF	50	75	100	125	150	175	200	225
mm	mm	mm	kg	mm	mm		mm	mm	mm	mm	mm	mm	mm	mm	mm
62	80	10,5	2000	11,5	20	M14	14	x		x		x			
62	80	10,5	2000	11,5	20	M16	13		x	x		x			
62	80	10,5	2500	11,5	24	M20	17		x		x		x		
76	100	12,5	3000	16,5	29	M16	17		x	x		x			
76	100	12,5	3000	16,5	29	M20	17		x		x		x		
76	100	12,5	3500	16,5	30	M24	20			x		x		x	
76	100	12,5	3500	16,5	30	M30	26				x		x		x
96	120	12,5	4000	16,5	29	M16	17		x	x		x			
96	120	12,5	4000	16,5	29	M20	17		x		x		x		
96	120	12,5	4500	16,5	30	M24	20			x		x		x	
96	120	12,5	4500	16,5	30	M30	26				x		x		x
130	150	12,5	5000	16,5	29	M20	17		x		x		x		
130	150	12,5	5500	16,5	30	M24	20			x		x		x	
130	150	12,5	5500	16,5	30	M30	26				x		x		x

Ordering example

- Group + D + M + Thread Length ---> MFSSH 80 M14x 50 (A)