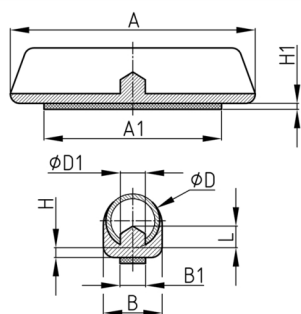


Product Group KSGSLF

Clamping shell glides made of PP with welded-on felt sliding surface for round tubes

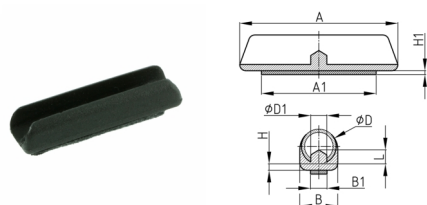


Standard Colours

- black
- uncoloured

Material

- Base body: Polypropylene (PP)
- Slide base: felt



Product options on inquiry

- Special colours
- Further sizes

| Order Number | A | A1 | B | B1 | D | D1 | H | H1 | L |
|----------------------|----|----|----|----|-------|-----|----|----|-----|
| | mm | mm | mm | mm | mm | mm | mm | mm | mm |
| KSGSLF 50x13 / 10-11 | 50 | 42 | 13 | 6 | 10-11 | 3,8 | 3 | 1 | 2,5 |
| KSGSLF 50x13 / 12-13 | 50 | 42 | 14 | 6 | 12-13 | 4,5 | 3 | 1 | 2,5 |
| KSGSLF 50x13 / 13-14 | 50 | 42 | 16 | 6 | 13-14 | 4,5 | 3 | 1 | 2,5 |
| KSGSLF 50x13 / 15-16 | 50 | 42 | 18 | 6 | 15-16 | 4,5 | 3 | 1 | 2,5 |