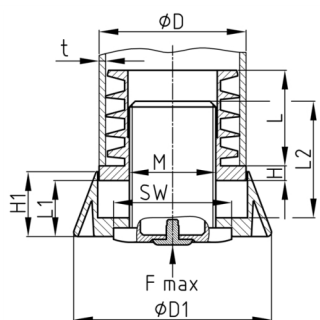


Product Group RJGB

Adjusting plugs made of PA 6 with cover for round tubes, slip stopper, one piece outer body and injection moulded thread

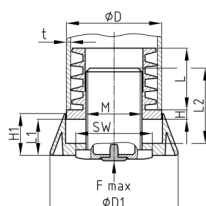


Standard Colours

- black RAL 9005

Material

- Polyamide 6 (PA 6)
- Anti-slip insert: Polyurethane (PUR)



- The feet must be adjusted in an unloaded state.
- The specified axial, static load capacity refers to a screw turned out 10 mm and resting on the full surface.
- Adjusting plugs are not suitable as load gliders.
- Adjusting plugs are not suitable for dynamic load.

- Please observe the material hints for polyamide (PA).

Product options on inquiry

- Further sizes
- Other special productions

Order Number	D	D1	F max.	H	H1	L	L1	L2	M	WAF	t
	mm	mm	kg	mm	mm	mm	mm	mm		mm	mm
RJGB 50x1,5-2 / M30x30 / 8k	50	70	300	5	23,5	29,3	8-20	27	M30	41	1,5-2