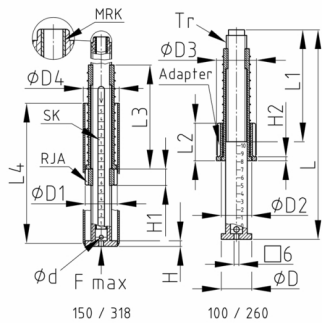


### Product Group RJ SPEZIAL

Heavy duty adjusting plugs made of PA for round tubes with a variety of combinable individual parts

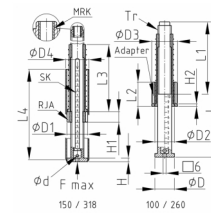


#### Standard Colours

- black

#### Material

- Polyamide (PA)



- The axial, static load capacity with a complete flat resting screw is 500 kg.
- 38 x 1,5 (threaded bush)
- 38 x 2 (threaded bush)
- 40 x 1,5 (threaded bush)
- 40 x 2 (threaded bush)
- 50 x 1 (threaded bush 38 x 1,5 + adapter 50 x 1)
- 50 x 1,5 (threaded bush 38 x 1,5 + adapter 50 x 1,5)
- 50 x 2 (threaded bush 38 x 1,5 + adapter 50 x 2)
- The thread is the same for all variants (acme thread).
- V1 = RJ special 38 x 1,5 / 100
- V2 = RJ special 38 x 2 / 100
- V3 = RJ special 40 x 1,5 / 100
- V4 = RJ special 40 x 2 / 100
- V5 = RJA special 38 x 1,5 / 150
- V6 = RJA special 38 x 2 / 150
- V7 = RJA special 40 x 1,5 / 150
- V8 = RJA special 40 x 2 / 150
- V9 = RJA special 38 x 1,5 / 150 / MRK SK
- V10 = RJA special 38 x 2 / 150 / MRK SK
- V11 = RJA special 40 x 1,5 / 150 / MRK SK
- V12 = RJA special 40 x 2 / 150 / MRK SK
- V13 = RJA special 50 x 1 / 150 / MRK SK
- ...more on inquiry
- 7 mm hole in the screw
- Square in the screw base
- SK = with scale for adjustment
- MRK = with metal tube core
- RJA sp. = with knurled lock nut (only for screw 150 / 318)
- 100 / 260 = 100 mm adjustment length and 260 mm total length
- 150 / 318 = 150 mm adjustment length and 318 mm total length

Order Number	V	V	V	V	V	V	V	V	V	V	V	V	V	d	D	D	D	D	F	H	H	H	L	L	L	L	L	L	Tr
	1	2	3	4	5	6	7	8	9	1	11	1	1	m	m	1	2	3	4	m	1	2	m	1	2	3	4	m	
														m	m	m	m	m		m	m	m	m	m	m	m	m	m	m



# Walter Bethke GmbH & Co. KG

Technische Kunststoff - und Hybridprodukte

Order Number	V 1	V 2	V 3	V 4	V 5	V 6	V 7	V 8	V 9	V 10	V 11	V 12	V 13	V 14	V 15	d m	D m	D 1	D 2	D 3	D 4	F m	H m	H 1	H 2	L m	L 1	L 2	L 3	L 4	Tr m
RJ sp. Gewindehülse	X				X				X									3						5					1	2	
RJ sp. Gewindehülse		X				X				X								3						5					1	2	
RJ sp. Gewindehülse			X				X				X							4						5					1	2	
RJ sp. Gewindehülse				X				X				X						4						5					1	2	
RJ sp. Adapter50x1,5																		5						5					4		
RJ sp. Adapter 50x2																		5						5					4		
RJ sp. Schraube 100 /	X	X	X	X												7	3					5	7			2	1			2	
RJ sp. Schraube 150 /					X	X	X	X								5	4					5	7			3	3			2	
RJ sp. Schraube 150 /																5	4					5	7			3	3			2	
RJ sp. Schraube 150 /								X	X	X	X	X	X	X	X	5	4					5	7			3	3			2	
RJ sp. Kontermutter					X	X	X	X	X	X	X	X	X	X	X		3								2						2
RJ sp. Blendhülse																						4								1	