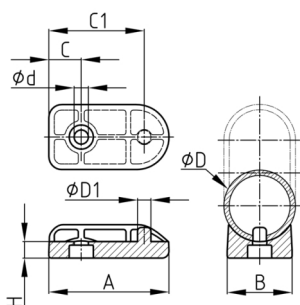


### Product Group SGX

Shell glides made of polyamide for tube-based cantilever and skid-base chairs

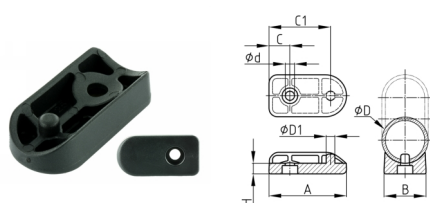


#### Standard Colours

- black RAL 9005

#### Material

- Polyamide 6 (PA 6)



- Safe positioning and fixing via two frame bores - only one connecting element required.

#### Product options on inquiry

- Special colours and materials (pricing, minimum quantities, set-up costs)

Order Number	A	B	C	C1	d	D	D1	H
	mm	mm	mm	mm	mm	mm	mm	mm
SGX 25/45	45	22	13	34	5,7	25	5,7	7
SGX 30/50	50	27	13,5	39,5	5,9	30	5,5	7