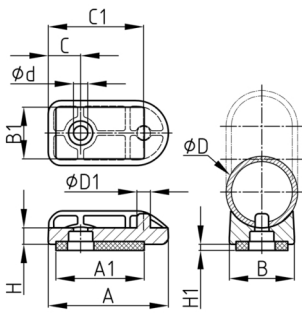


Product Group SGXF

Shell glides made of polyamide with felt-sliding surface for tube-based cantilever and skid-base chairs

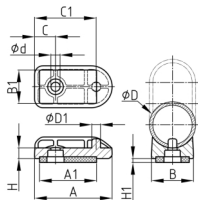


Standard Colours

- black RAL 9005

Material

- Base body: Polyamide (PA 6)
- Slide base: wool felt
- acrylate adhesive



- Safe positioning and fixing via two frame bores - only one connecting element required.

Product options on inquiry

- Special colours and materials (pricing, minimum quantities, set-up costs)

Order Number	A	B	A1	B1	C	C1	d	D	D1	H	H1
	mm	mm	mm	mm	mm	mm	mm	mm	mm	mm	mm
SGXF 25/45	45	22	32	15	13	34	5,7	25	5,7	7	3
SGXF 30/50	50	27	36	21	13,5	39,5	5,9	30	5,5	7	3