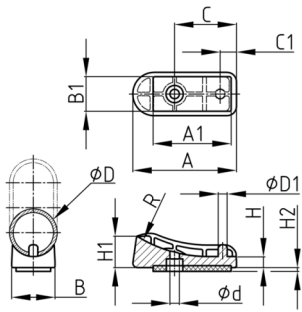


Product Group SGRX

Shell glides made of polyamide for tube-based cantilever and skid-base chairs with diverse bending radii

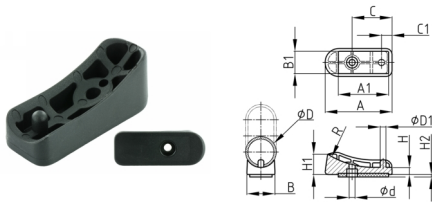


Standard Colours

- black RAL 9005

Material

- Polyamide 6 (PA 6)



- Safe positioning and fixing via two frame bores - only one connecting element required.

Product options on inquiry

- Special colours and materials (pricing, minimum quantities, set-up costs)

| Order Number | A | B | C | C1 | d | D | D1 | H | H1 ca. | R |
|------------------|----|------|----|-----|-----|----|-----|----|--------|------|
| | mm | mm | mm | mm | mm | mm | mm | mm | mm | mm |
| SGRX 25/60 R63,5 | 60 | 22 | 35 | 9 | 5,2 | 25 | 5,7 | 7 | 21 | 63,5 |
| SGRX 25/60 R75 | 60 | 22 | 35 | 9 | 5,2 | 25 | 5,7 | 7 | 21 | 75 |
| SGRX 30/64 R80 | 65 | 27,5 | 39 | 9,5 | 5,9 | 30 | 5,6 | 7 | 20 | 80 |
| SGRX 30/64 R85 | 65 | 27,5 | 39 | 9,5 | 5,9 | 30 | 5,6 | 7 | 19,5 | 85 |