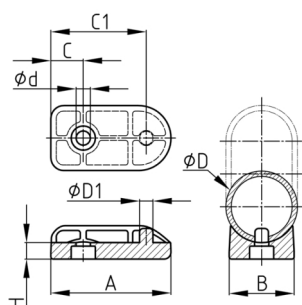


Product Group SGXT

Shell glides made of transparent and abrasion-resistant PVC-P for tube-based cantilever and skid-base chairs

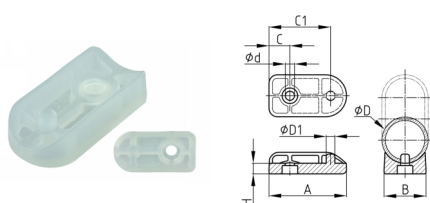


Standard Colours

- uncoloured

Material

- Plasticised PVC (PVC-P), app. 92 Shore A



- Safe positioning and fixing via two frame bores - only one connecting element required.

Order Number	A	B	C	C1	d	D	D1	H
	mm	mm	mm	mm	mm	mm	mm	mm
SGXT 25/45	45	22	13	34	5,7	25	5,7	7
SGXT 30/50	50	27	13,5	39,5	5,9	30	5,5	7