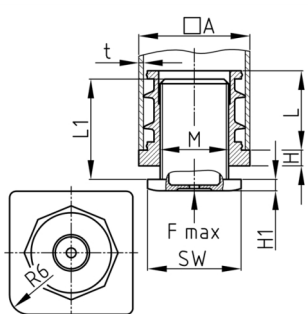


Product Group VJR

Adjusting plugs made of PA 6 for square tubes with one piece external body, an edge R6 and injection moulded thread

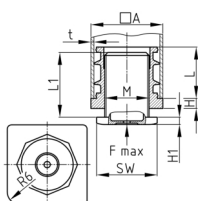


Standard Colours

- black RAL 9005

Material

- Polyamide 6 (PA 6)



- The feet must be adjusted in an unloaded state.
- The specified axial, static load capacity refers to a screw turned out 10 mm and resting on the full surface.
- Adjusting plugs are not suitable as load gliders.
- Adjusting plugs are not suitable for dynamic load.

- Please observe the material hints for polyamide (PA).

Product options on inquiry

- Further sizes
- Other special productions

Order Number	A	F max.	H	H1	L	L1	M	WAF	t
	mm	kg	mm	mm	mm	mm		mm	mm
VJR 30x30x1,5-2 / M22x25 /8k	30	300	5	5	19,5	29	M22	28	1,5-2
VJR 30x30x1,5-2 / M22x60 /8k	30	300	5	5	19,5	60	M22	28	1,5-2