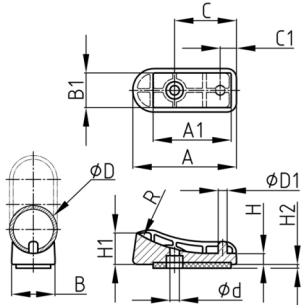


### Product Group SGRXH

Shell glides made of PA with different blending radii and with abraision-resistant, non-slip insert for tube-based cantilever and skid-base chairs

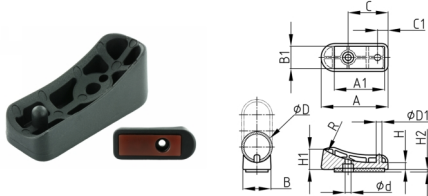


#### Standard Colours

- black RAL 9005

#### Material

- Base body: Polyamide (PA 6)
- Slide base: Polyurethane (PUR), appr. 80 Shore A
- acrylate adhesive



- Safe positioning and fixing via two frame bores - only one connecting element required.

Order Number	A	B	A1	B1	C	C1	d	D	D1	H	H1 ca.	H2	R
	mm	mm	mm	mm	mm	mm	mm	mm	mm	mm	mm	mm	mm
SGRXH 25/60 R63,5	60	22	44,5	15	35	9	6	25	5,7	7	21,5	2,5	63,5
SGRXH 25/60 R75	60	22	44,5	15	35	9	6	25	5,7	7	20	2,5	75
SGRXH 30/64 R80	65	27,5	48	20,5	39	9,5	6	30	5,6	7	20	2,5	80
SGRXH 30/64 R85	65	27,5	48	20,5	39	9,5	6	30	5,6	7	19,5	2,5	85